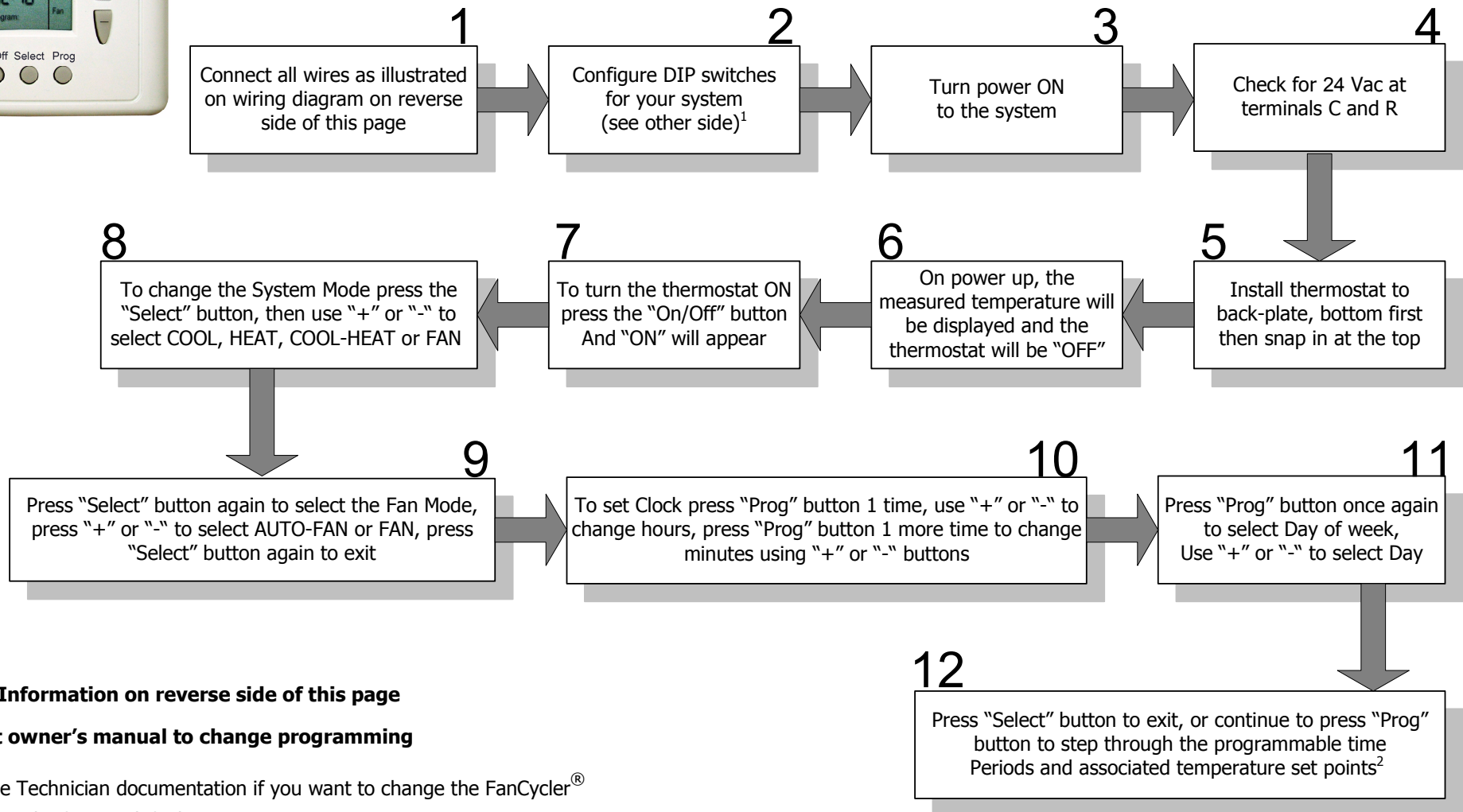


ERV-24-SUPER- Thermostat with FanCycler® Quick Start and Wiring Instructions for Installers

Quick Start



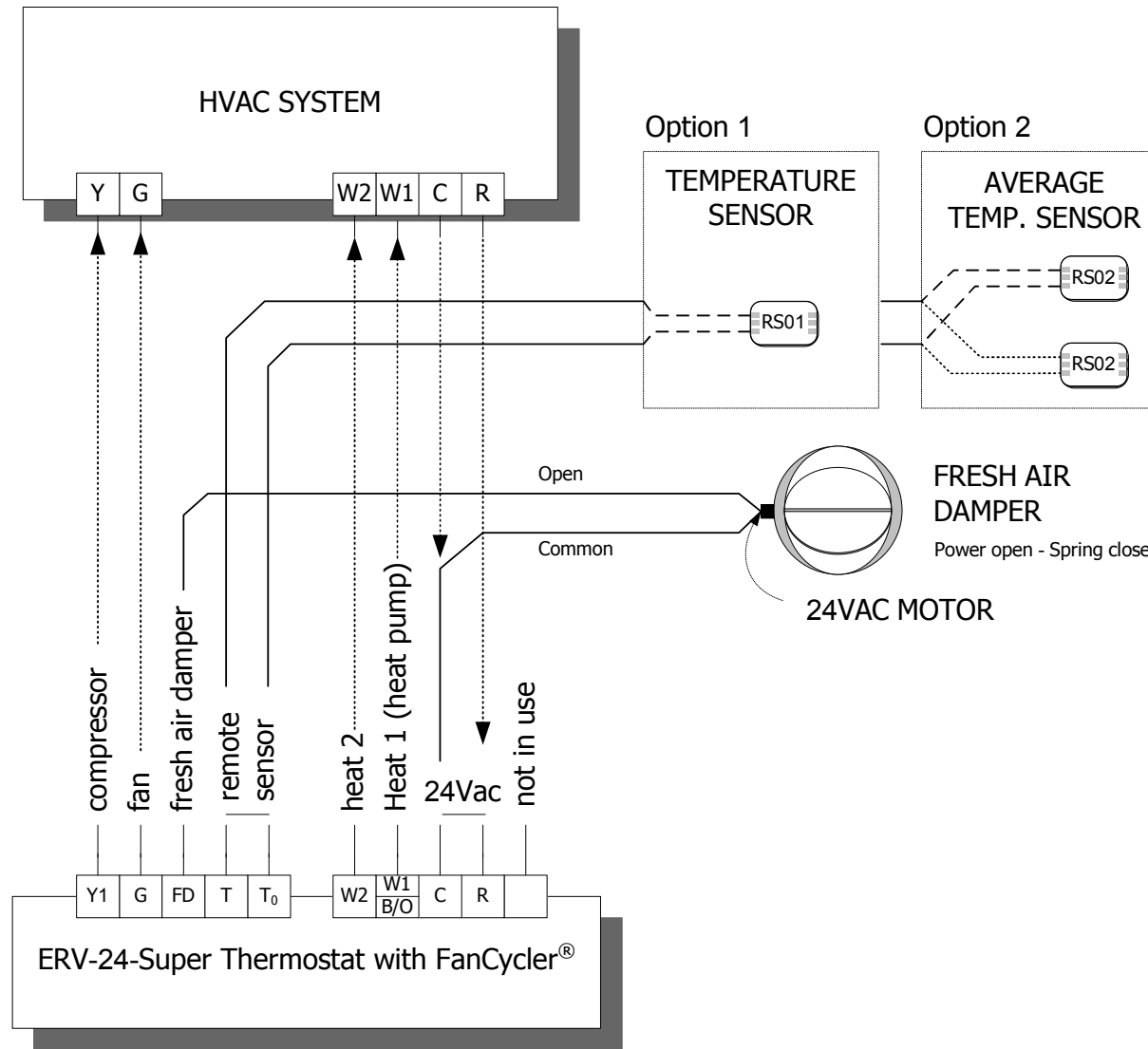
1 **Wiring Information on reverse side of this page**

2 **Consult owner's manual to change programming**

Refer to the Technician documentation if you want to change the FanCycler® settings from the factory defaults



Doylestown, PA 18902 USA
Phone: 800-838 7435 or 215-766 1487 Fax: 215-766 1493
Email: info@scilc.com - www.scilc.com



ERV-24-Super Thermostat with FanCycler®

Protected by U.S. patents: US 5,547,017; 5,881,806; 6,431,268; CA 2,245,135

TECHNICIAN SETTINGS:

Programmable / Non-Programmable

Programmable capability – DIP switch 2 in “OFF” position.
 Non-Programmable – DIP switch 2 in “ON” position.
 Note: This is a “hard” Program on/off setting.
 The Program can also be “soft” toggled – see operating manual for more information.

Thermostat LOCK feature

The thermostat may be locked to avoid occupant tampering. To lock or unlock the thermostat buttons, with the thermostat turned ON, press and hold the “Select” button for 15 sec.

Temperature Offset setting

The Offset is only to be used for field calibration of the measured temperature if necessary. Press and hold the “On/Off” button (4 sec.) to turn the thermostat OFF. Set temperature to 60°F, and wait until display stops flashing. Press and hold “Select” button (6 sec.) until “Offs” and digits appear on display. Change the offset (a number between -6...+6) for measured temperature calibration using the “+” and “-” buttons. Press “Select” button again to return to normal display mode.

Complete reset

For RESET to factory firmware defaults – move JMP1 to position B, Wait 15 seconds, then return JMP1 to position A

DIP SWITCH AND JUMPERS CONFIGURATION

FUNCTION	DIP Switch settings					
	1	2	3	4	5	6
Internal sensor ¹	ON	x	x	x	OFF	ON
Remote sensor	OFF	x	x	x	ON	OFF
HC	x	x	OFF	x	x	x
HP	x	x	ON	x	x	x
3 min compressor delay ¹	x	x	x	OFF	x	x
No compressor delay	x	x	x	ON ²	x	x
Programmable ¹	x	OFF	x	x	x	x
Non-Programmable	x	ON	x	x	x	x

x = disregard
¹ = factory defaults
² = FOR TEST ONLY



Default DIP switch Configuration from factory

DEFAULT

