

ETN24-SUPER-FP-PROG-F



24VAC, wall-mount thermostat, with 5-1-1 weekly program, Freeze Protection and 2 Cooling stages for multiple HVAC configurations

General

The ETN24-SUPER-FP-PROG-F is an aesthetic, easy to use thermostat for commercial and residential applications. It can control a large variety of HVAC systems with either Heat/Cool or Heat Pump configurations and has 2 Cooling stages.

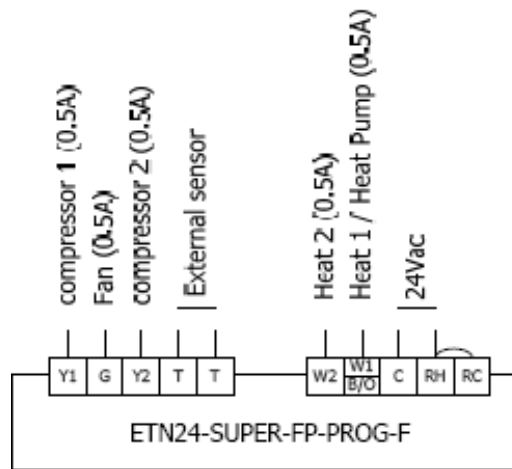
Its 5-1-1 program, with 4 x start time per day is easy to use and can provide 24-hour comfort as well as energy savings.

Overall, the ETN24-SUPER-FP-PROG-F is an attractive, wall mount thermostat with a large, easy to read display.

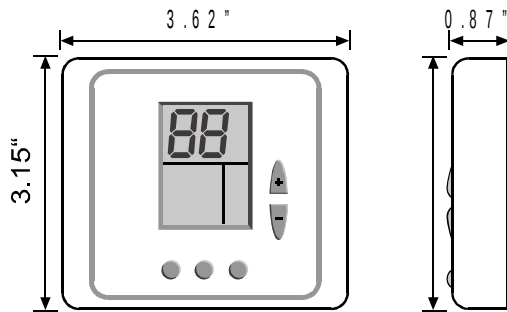
Features

- Wall mount, 24VAC thermostat
- DIP switch selectable configurations:
 - Heat/Cool or Heat Pump system
 - Electric or Oil/Gas heat system
 - Heat Pump in Cool or Heat
- 5-1-1 programmable – 4 x start time per day
- Modes: Cool, Heat, Auto Mode, Fan Only
- Auto-change-over mode - selectable
- 1 fan speed
- Freeze protection – adjustable
- Set point limits- 41...90°F
- Energy saving thermostat
- Lock / Unlock thermostat buttons
- Temp. scale - °F
- 3 minutes compressor delay – dip switch selectable
- Internal or external sensor – dip switch selectable
- Switching between programmable / non-programmable configuration
- External sensor- option
- IR remote control – option
- Real Time Clock
- Offset – for temp. reading adjustment - $\pm 6^{\circ}\text{F}$

Electrical Diagram



Dimensions



Specifications

Temp. Range	50-86°F
Weight	0.275 lbs
Scale	°F
Color	White
Accuracy	±1°F
Plastic	PC/ABS
Flammability	UL94V-0
Temperature Input	Thermistor 50K@77°F

Accessories

Part Number	Description
TS01/TS02	Temperature Sensor - 80 / 180 cm Cable
RS01	Temperature Sensor into decorative box
RS02	Average Temperature Sensor into decorative box
WP4	Decorative Back Plate for ETN