

ETN24-SUPER-3S-FP-PROG-F



24VAC, wall-mount thermostat, with 5-1-1 weekly program, Freeze Protection and 3 Fan Speeds, for multiple HVAC configurations

General

The ETN24-SUPER-3S-FP-PROG-F is an aesthetic, easy to use thermostat for commercial and residential applications. It can control a large variety of HVAC systems with either Heat/Cool or Heat Pump configurations and offers numerous selectable or user adjustable features, such as Freeze Protection to protect system from freezing, Offset for temperature reading adjustment or an option for 3 minute compressor delay.

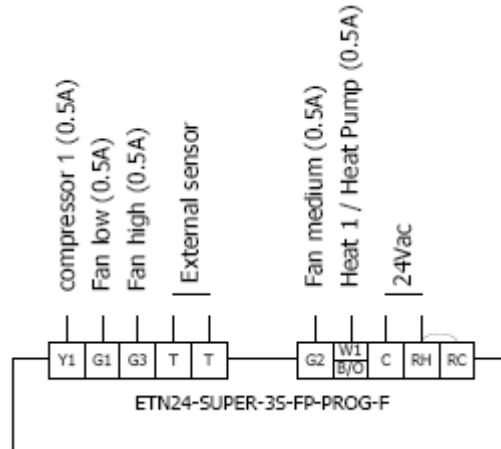
Its 5-1-1 program, with 4 x start time per day is easy to use and can provide 24-hour comfort as well as energy savings.

Overall, the ETN24-SUPER-3S-FP-PROG-F is an attractive, wall mount thermostat with a large, easy to read display.

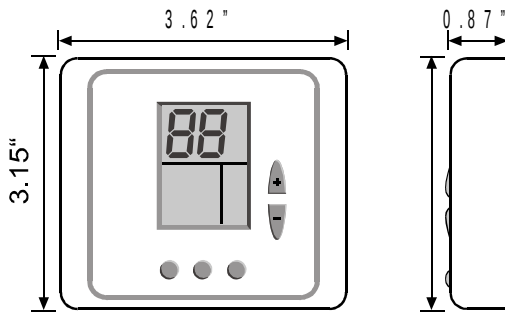
Features

- Wall mount, 24VAC thermostat
- DIP switch selectable configurations:
 - Heat/Cool or Heat Pump system
 - Electric or Oil/Gas heat system
 - Heat Pump in Cool or Heat
- 5-1-1 programmable – 4 x start time per day
- Modes: Cool, Heat, Auto Mode, Fan Only
- Auto-change-over mode - selectable
- 3 fan speed + Auto Speed
- Freeze protection – adjustable Set point limits- 41...90°F
- Energy saving thermostat
- Lock / Unlock thermostat buttons
- Temp. scale - °F
- 3 minute compressor delay – dip switch selectable
- Internal or external sensor – dip switch selectable
- Switching between programmable / non-programmable configuration
- External sensor- option
- IR remote control – option
- Real Time Clock
- Offset – for temp. reading adjustment - $\pm 6^{\circ}\text{F}$

Electrical Diagram



Dimensions



Specifications

Temp. Range	50-86°F
Weight	0.275 lbs
Scale	°F
Color	White
Accuracy	±1°F
Plastic	PC/ABS
Flammability	UL94V-0
Temperature Input	Thermistor 50K@77°F

Accessories

Part Number	Description
TS01/TS02	Temperature Sensor – 30"/ 70" Cable
RS01	Temperature Sensor into decorative box
RS02	Average Temperature Sensor into decorative box
WP4	Decorative Back Plate for ETN