

ETN24-HC11-3S-IR



Wall mount, 24VAC thermostat with Heat and Cool outputs, 3 fan speeds, IR option and Economy mode

General

The ETN24-HC11-3S-IR thermostat is a fully featured, stylish thermostat, suitable for light commercial, residential or apartment applications

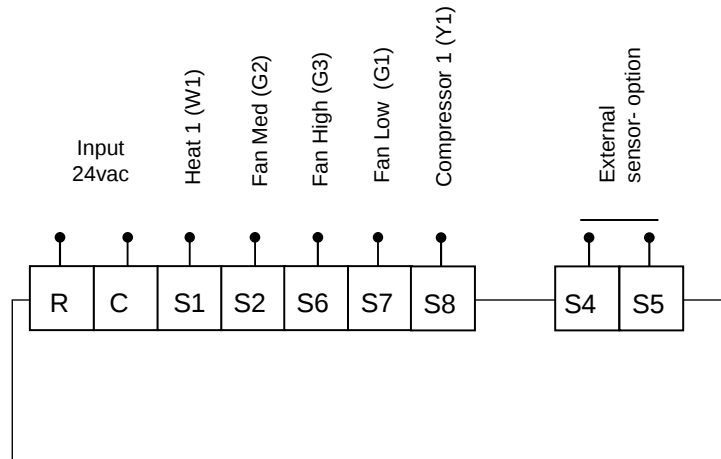
It has two separate outputs for Cool and Heat and 3 fan speed control. It offers Economy mode for maximum energy saving and adjustable temperature limits. It also offers various selectable options, such as lock pushbuttons, compressor delay, External temperature sensor input and more

The ETN24-HC11-3S-IR is an attractive, wall mount thermostat with a large, easy to read display

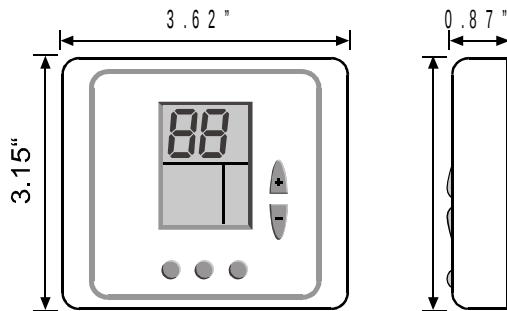
Features

- Wall mount, 24VAC thermostat
- 2 Separate outputs for Cool and Heat
- 3 Fan Speeds
- Economy mode
- Fahrenheit temperature display
- Temperature limit– adjustable (50...90°F)
- 3 minutes compressor delay - selectable
- Type of heater (electric heater or oil heater) – selectable
- Temperature offset – adjustable ($\pm 6^{\circ}\text{F}$)
- Lock thermostat pushbuttons – option
- Internal / external sensor – DIP switch selectable
- Remote Control – option
- Daily, digital Timer from RC – optimal when you are asleep or away
- Energy saving – cost efficient, environmental friendly thermostat

Electrical Diagram



Dimensions



Specifications

Temp. Range	50-86°F
Weight	0.275 lbs
Scale	°F
Color	White
Accuracy	±1°F
Plastic	PC/ABS
Flammability	UL94V-0
Temperature Input	Thermistor 50K@77°F

Accessories

Part Number	Description
TS01	Temperature Sensor – 30"/ 70" Cable
RS01	Temperature Sensor into decorative box
RS02	Average Temperature Sensor into decorative box
DT02	Duct Temperature Sensor
WP4	Decorative Back Plate for ETN