

ERT24-SUPER



Wall mount, 24VAC thermostat, Heat-Pump or Heat Cool configuration, with up to 3 stages for Heat and 2 stages for Cool

General

The ERT24-Super is an energy saving thermostat suitable for commercial and residential applications. It can control a large variety of HVAC systems with either Heat/Cool or Heat Pump configurations.

This thermostat offers 3 stages for Heat and 2 stages for Cool. In addition, it offers Economy mode for maximum energy saving with easy temperature setting for Economy.

Its easy to change configuration, using only jumpers, makes the ERT24-SUPER the perfect solution for basic and easy climate control.

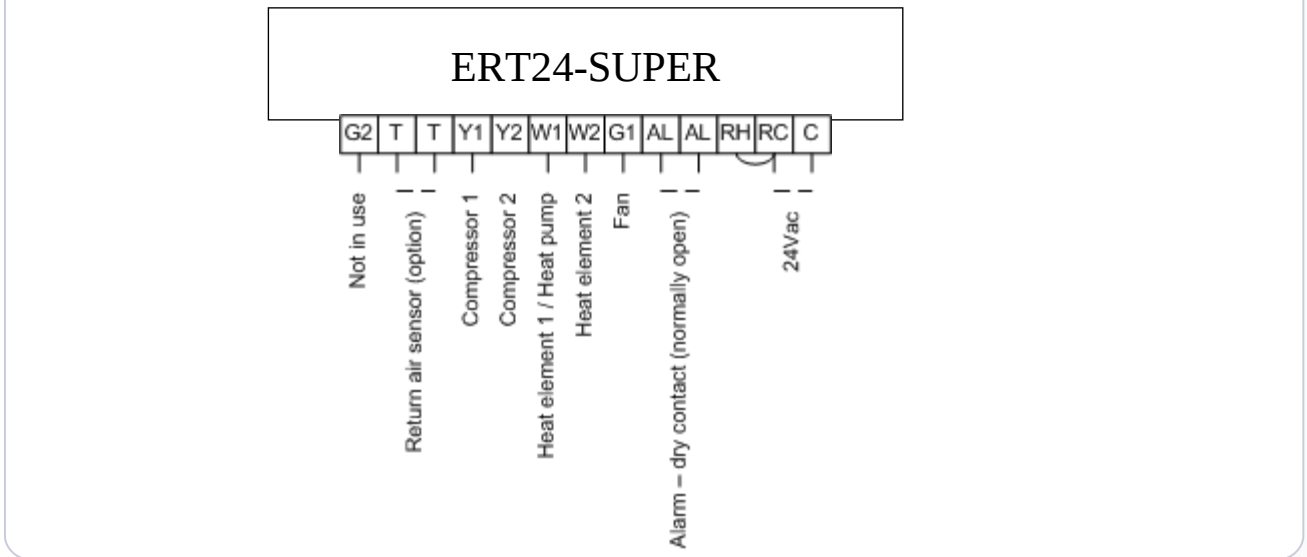
Features

- Main supply- 24Vac
- Modes: Cool /Heat /Auto-Fan/Economy
- System configuration – Heat Pump or Heat/Cool – jumper selectable
- Multiple Heating (3) & Cooling (2) stages
- Economy mode – easy temperature setting for Cool (70°-88°F) and Heat (50°-69°F)
- Temperature limits for Cool & Heat (50°..88°F)
- Electric or Oil/Gas heater is selectable in Heat/Cool configuration
- Heat Pump in Cool or Heat is selectable in HP configuration
- Internal / External sensor- jumper selectable
- 3 minute compressor delay – jumper selectable
- Return Air Sensor – optional
- Alarm – dry contact (normally open)
- 1 fan speed
- Energy Saving – Cost efficient, environmental friendly thermostat
- Large, easy to read display

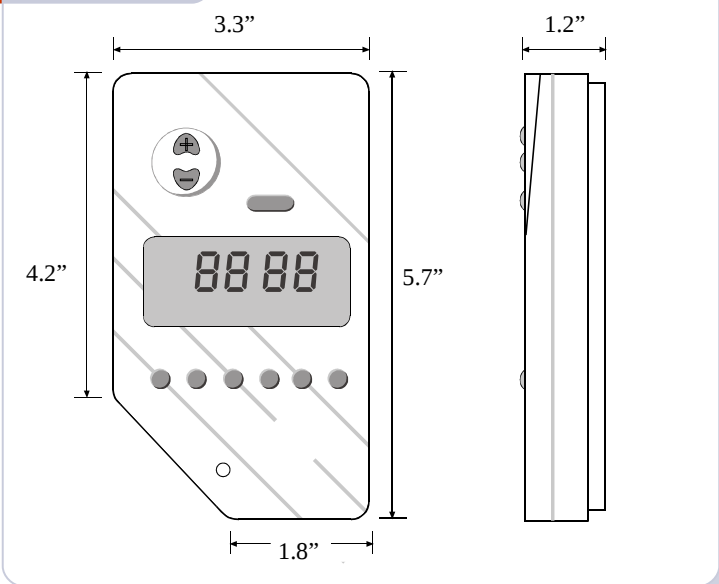
Models

Model	Cooling stages	Heating stages	Fan speeds
HP32-1S	2	3	1
HP21-1S	1	2	1
HC22-1S	2	2	1
HC11-1S	1	1	1

Electrical Diagram



Dimensions



Specifications

Temperature Range	45°F -95°F
Weight	0.55 lbs
Scale	°F
Color	White
Accuracy	±1.5°F
Plastic	PC/ABS
Flammability	UL94V-0
Temperature Input	Thermistor 50K@77°F

Accessories

Part Number	Description
TS01	Temperature Sensor – 30" Cable
RS01	Temperature Sensor into decorative box
RS02	Average Temperature Sensor into decorative box
WP2	Decorative Plastic Back Plate
WP3	Decorative Plastic Back Plate - Wide