

ERT24-HC11-2S



Wall mount, 24VAC thermostat,
Heat Element configuration for Heat
And Compressor output for Cool, 2
fan speed and Economy mode

General

The ERT24-HC11-2S is a fully featured, wall-mount thermostat suitable for commercial or residential applications.

It has Compressor output for Cool and Electrical Heater output for Heat and 2 fan speed.

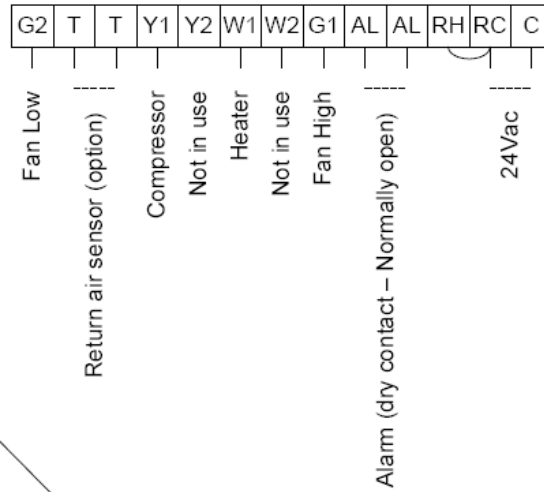
The ERT24-HC11-2S is also an energy saving thermostat with Economy mode that can be activated when room is unoccupied.

Overall, the ERT24-HC11-2S is an easy to operate thermostat with a clear, easy to read LCD display.

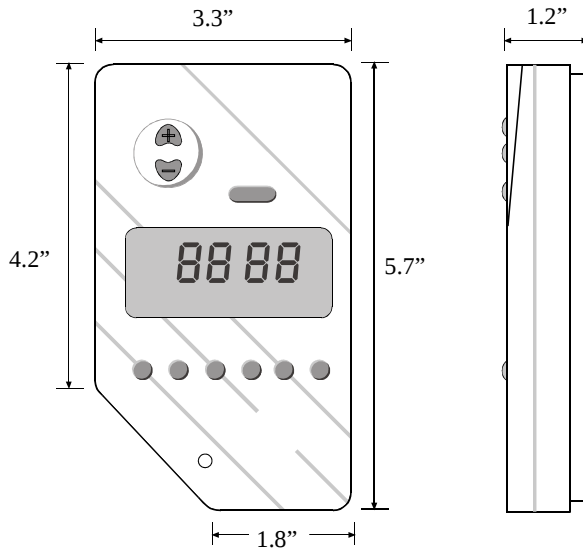
Features

- Main supply- 24Vac
- Modes: Cool /Heat /Fan/Economy
- System configuration – Heat element in Heat and an output for compressor in Cool
- 2 fan speed control – Low, High
- 3 minute compressor delay to protect compressor
- Return Air External Sensor - Optional
- Alarm – dry contact
- F° or C° temperature display
- Economy mode – to be activated when room is unoccupied
- Energy Saving – Cost efficient, environmental friendly thermostat
- Large, easy to read display

Electrical Diagram



Dimensions



Specifications

Temperature Range	45°F -95°F, 5°F -35°C
Weight	0.55 lbs
Scale	°F, °C
Color	White
Accuracy	±1.5°F
Plastic	PC/ABS
Flammability	UL94V-0
Temperature Input	Thermistor 50K@77°F

Accessories

Part Number	Description
RS01	Temperature Sensor into decorative box
RS02	Average Temperature Sensor into decorative box
WP2	Decorative Plastic Back Plate
WP3	Decorative Plastic Back Plate - Wide